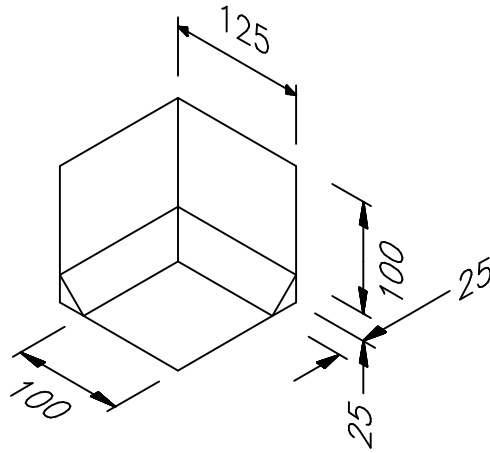
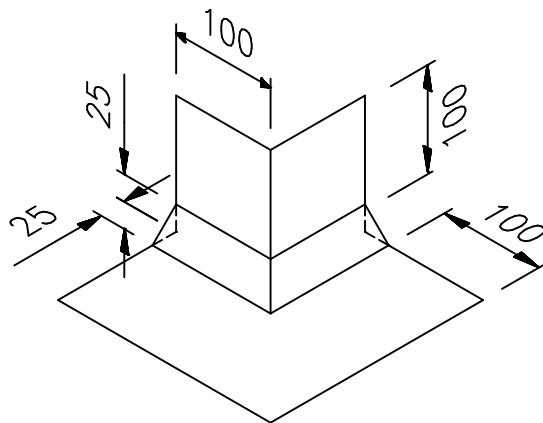


Fax Back on 0845 450 9767



INTERNAL CORNER WITH FILLET



EXT CORNER WITH FILLET



DO NOT SCALE USE FIGURED DIMENSIONS ONLY

Contact Name		Project Name
Contact Number		Delivery Address
Date Required		
Customer O/No.		