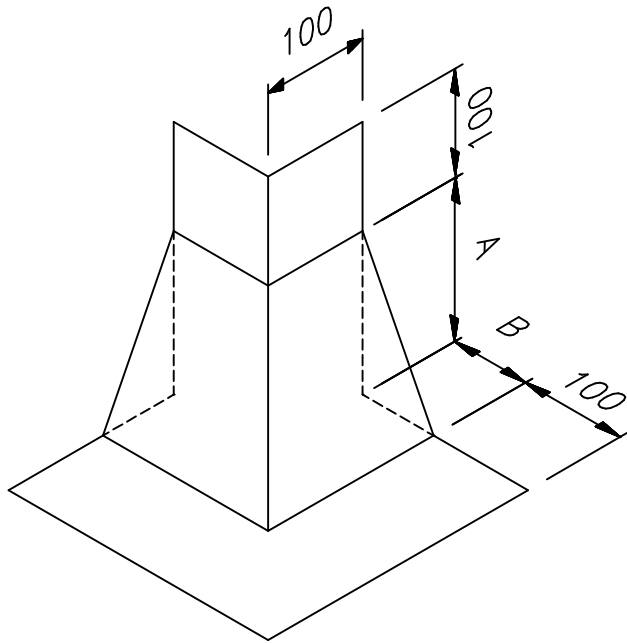


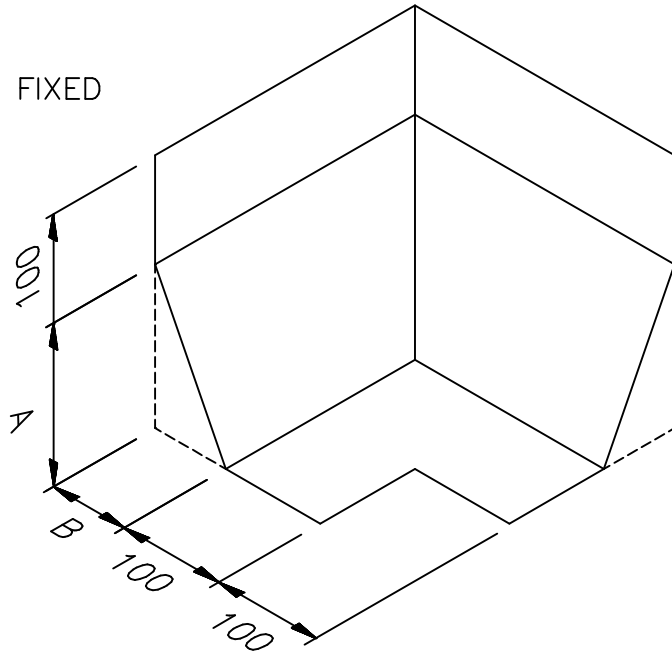
Fax Back on 0845 450 9767



A =	
B =	
Qty Required	

90°EXT CORNER SURFACE FIXED

A =	
B =	
Qty Required	



90°INT CORNER SURFACE FIXED



DO NOT SCALE USE FIGURED DIMENSIONS ONLY

Contact Name		Project Name
Contact Number		Delivery Address
Date Required		
Customer O/No.		