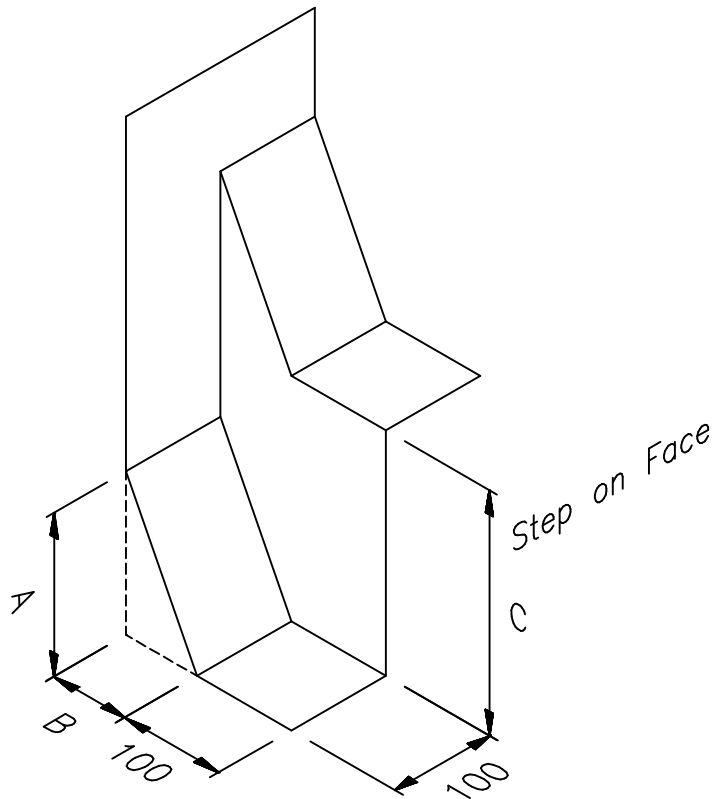


Fax Back on 0845 450 9767



CHANGE OF LEVEL SURFACE FIX
AS DRAWN RIGHT HAND

A =	
B =	
C =	
Qty Required	



DO NOT SCALE USE FIGURED DIMENSIONS ONLY

Contact Name		Project Name
Contact Number		Delivery Address
Date Required		
Customer O/No.		