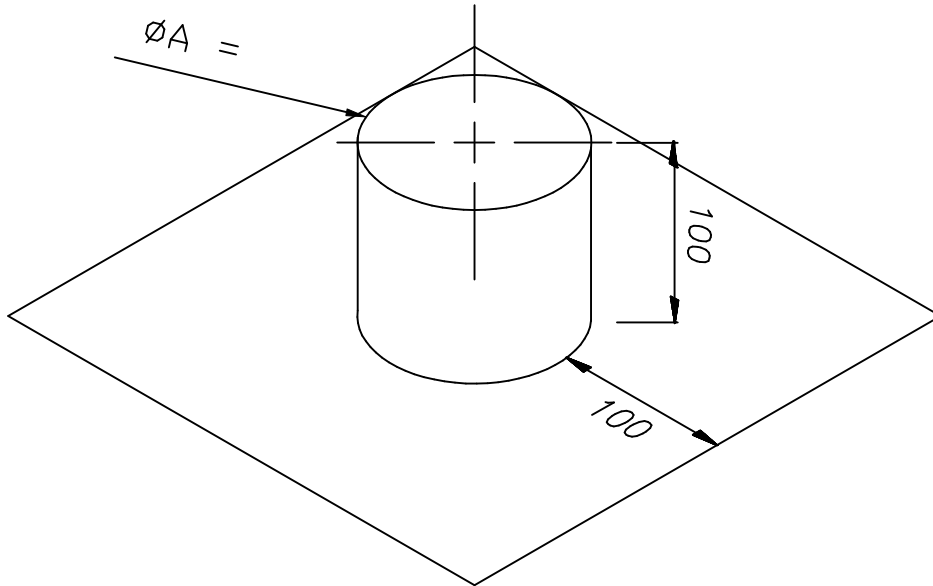


Fax Back on 0845 450 9767



TOP HAT

A =	
Qty Required	



DO NOT SCALE USE FIGURED DIMENSIONS ONLY

Contact Name		Project Name Delivery Address
Contact Number		
Date Required		
Customer O/No.		